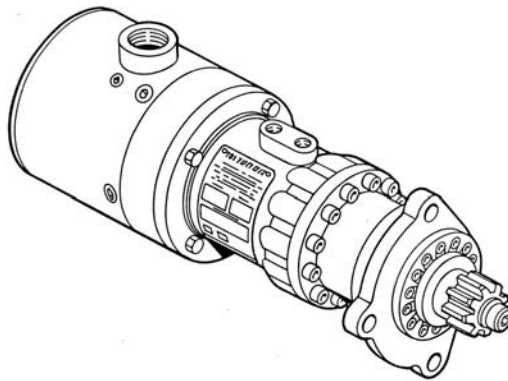


ILLUSTRATED PARTS BREAKDOWN



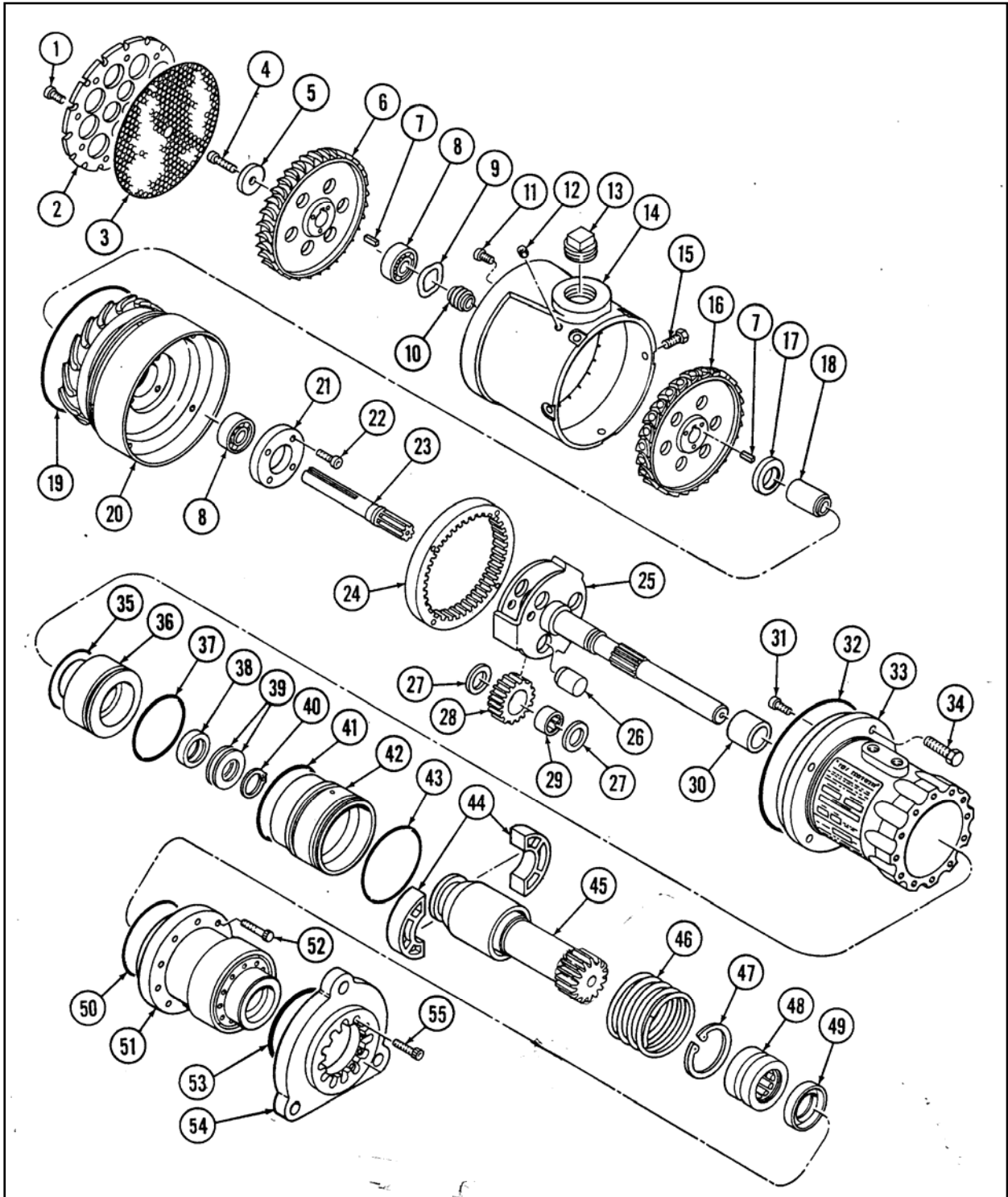
MODEL: T30-Y
***TURBOTWIN* Engine Air Starter**

PN: T306-60091-27R



ITEM #	DESCRIPTION	PART NUMBER	QTY.	Overhaul Kit T30Y-27623-001
1	Screw	14F-16432-008	8	√
2	Exhaust Support	2-27475	1	
3	Exhaust Screen	2-27239	1	
4	Screw, Rotor Attachment	14F-25028-012	1	√
5	Rotor Washer	9-93047	1	
6	Stage 2 Rotor	2-27232	1	
7	Square Key (1/8")	9-90220-050	2	
8	Turbine Bearing	9-91224	2	√
9	Bearing Pre-Load Spring	9-90439	2	√
10	Bearing Spacer, Labyrinth	2-28445	1	√
11	Screw	11A-37516-008	1	√
12	Hollow Hex Plug	9-93501-002	1	
13	Caplug	9-93502-021	1	
14	Stage 2 Noz./Inlet Assy. (RH)	2-28595-00R	1	
15	Screw	72F-25020-012	5	√
16	Stage 1 Rotor	2-27225	1	
17	Lip Seal	2-26719	1	√
18	Seal / Bearing Spacer	9-93114	1	√
19	O-Ring	9-90001-047	1	√
20	Turbine Hsg. / Stage 1 (6 Noz. RH)	2-27389-06R	1	
21	Bearing Retainer	2-27406	1	
22	Screw	14F-25020-012	4	√
23	Turbine Shaft	2-27391-001	1	
24	Ring Gear	2-27395	1	
25	Carrier Shaft Weldment	2-27474-001	1	
26	Planet Shaft	2-22051	3	
27	Planet Gear Spacer	9-93065	6	√
28	Planet Gear (9.0:1)	2-23878	3	
29	Planet Bearing	9-91389	3	√
30	Gearbox Bearing	9-91405	1	√
31	Screw	14F-19024-012	4	√
32	O-Ring	9-90001-049	1	√
33	Gearbox Housing	2-27390	1	
34	Hex Bolts (Gearbox Attachment)	74F-25020-024	4	√
35	O-Ring	9-90001-035	1	√
36	Bearing Hub	2-29099	1	
37	O-Ring	9-90002-331	1	√
38	Lip Seal	2-23810	1	√
39	Thrust Washers	9-93085	2	√
40	Retainer Ring	9-92001-025	1	√
41	O-Ring	9-90002-326	1	√
42	Pre-engage Piston	2-29101	1	
43	O-Ring	9-90002-234	1	√
44	Split Rings	2-23419	2	√
45	Pinion Drive	2-29113	1	
46	Return Spring	9-90430	1	
47	Retainer Ring	9-92001-011	1	√

ITEM #	DESCRIPTION	PART NUMBER	QTY.	Overhaul Kit
48	Roller Bearing	9-91422	1	√
49	Lip Seal	2-22084	1	√
50	<i>This O-Ring is no longer used. See Service Bulletin # 86.</i>			
51	Pinion Housing	2-26112	1	
52	Screw (Pinion Hag. attachment)	14F-25020-016	12	√
53	O-ring	9-90001-042	1	√
54	Mounting Flange S.A.E. 1	2-24397	1	
55	Screw, (Flange attachment)	14F-25028-016	12	√



AN 05-470

From Tech Development

6800 Poe Ave. •Dayton OH 45414

Tel: (937) 898-9600 •Fax: (937) 898-8431

Website: www.tdi-turbotwin.com